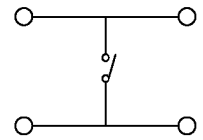
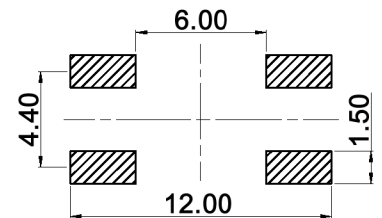


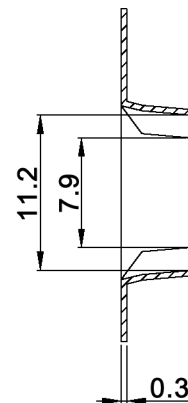
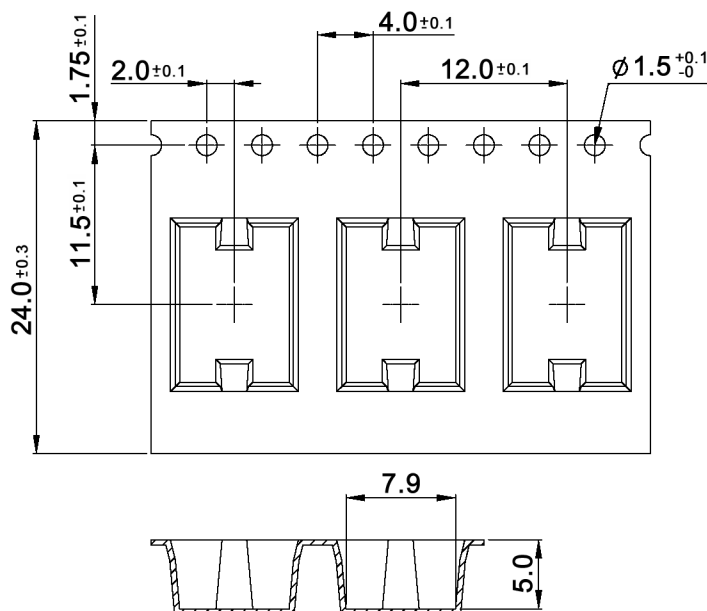
CIRCUIT DIAGRAM



P.C. MOUNTING



Packaging:



10 sprocket hole pitch cumulative tolerance +/-0.20  
 Carrier chamber is within 1mm in 250mm  
 Material: transparent polystyrene alloy  
 All dimensions meet EIA-481-C requirements  
 Component load per 330mm reel: 1100 pcs.



Tolerances: 0.1-1.0: ±0.05mm 1.0-5.0: ±0.1mm 5.0-10.0: ±0.2mm 10.0-20.0: ±0.3mm		Date	Name
		09/08	dr
Tolerances	01/13	dr	
Material	07/12	dr	
IP rating	04/12	dr	
Packaging	11/11	dr	
Base color	07/09	dr	
Operating temperature	06/09	dr	
Packaging	06/09	dr	
Operating force	05/09	dr	
Modifications	Date	Name	

TMPS 1(T)

knitter-switch

30 15 94

Page

1/2

